



**ultima**

## LED TUBE

### *LED Tubes for every Ballast:*

1. Comply with both magnetic and electronic ballast, easy installation
2. Many safe wiring connection options
3. Truly Long life span 50000 hours

**CE** **RoHS** COMPLIANT **warranty 2 years**

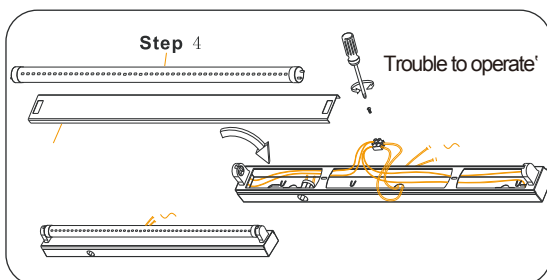
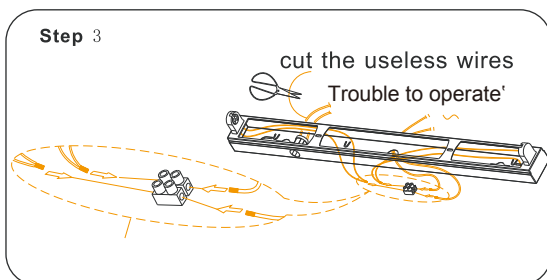
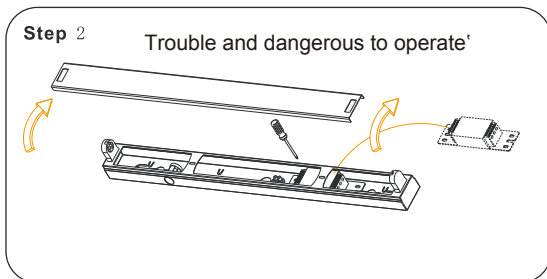
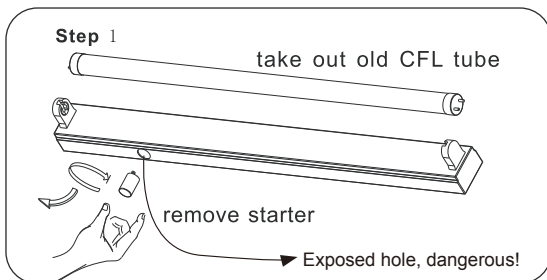


**LED TUBES for EVERY BALLAST!!!**

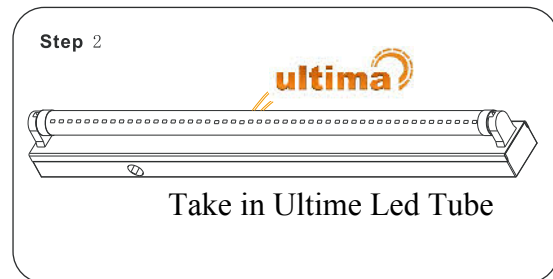
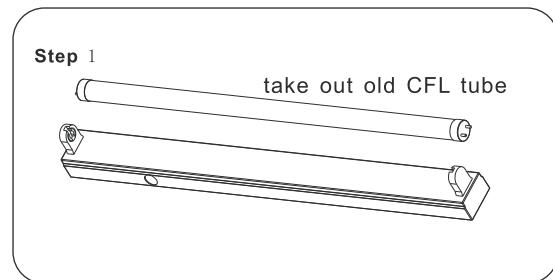
**www.risu.at - Powered by swiss know how**

## Installation Guidance Comparison

### Conventional LED tube



### Our LED tube comply with electronic ballast

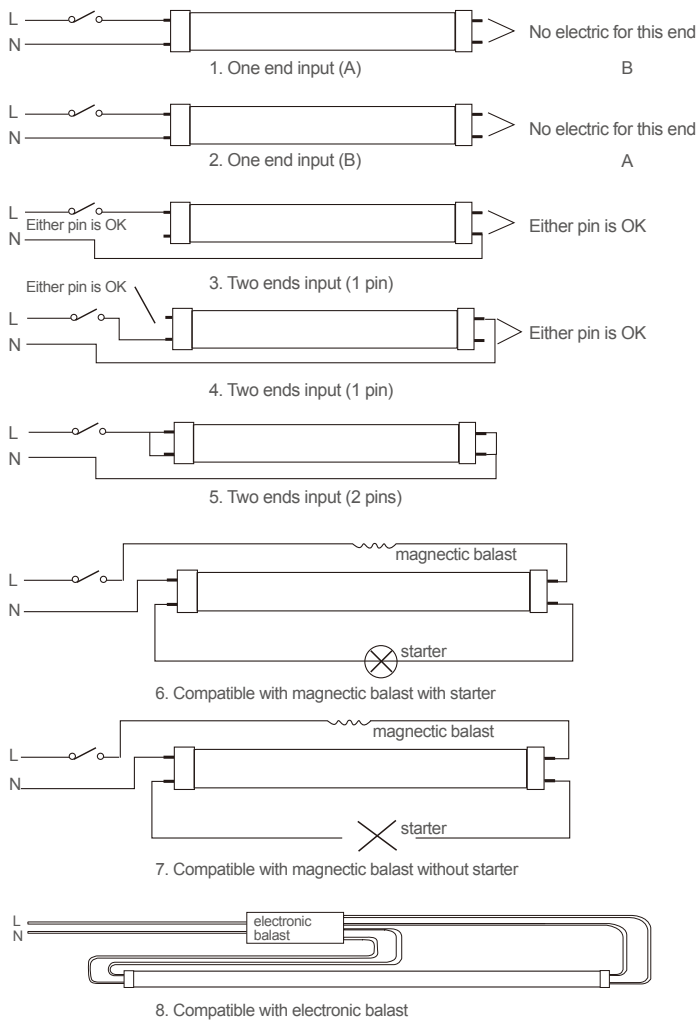


**Through the comparison you can see our key advantages:**

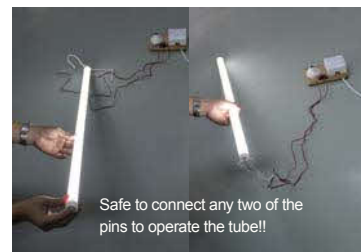
1. Easy to install and maintenance
2. Not need professional technician to replace it, save time and money
3. Safe for operation

## Unique T8 tube comply with electronic ballast

### EIGHT WAYS OF WIRING METHODS Directly Replacement & No Wiring Changes



### Miracle effect indicated by vivid photos



## Outstanding Advantage And Key Specification:

### Key Specification:

Power Consumption: 9,12,18,22,24W  
 Voltage: 100-265V AC  
 Color Temperature: 2700K-3300K,3800K-4600K,5500K-6500K  
 Luminous Flux: up to 2160lm (24Watt-150cm)  
 Light Source: 3528 SMD LED  
 Beam Angle: 150 ± 5°  
 Dimension: L ..... x W26 x H29 ± 1mm (not including pins)  
 Certifications: CE,RoHS



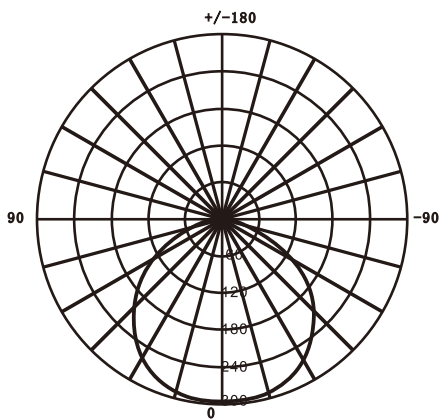
### Outstanding Advantage And Key Specification:

Housing: Pure aluminum material with good heat conduction and excellent heat dissipation; very elegant shape  
 LED Source: High luminous 3528 units SMD LED with good internal heat dissipation design  
 LED driver: High PF>0.9; efficiency: 85%; constant current with over power, over current and over load protection to make sure LED light long life span  
 Life Span: 50,000 hours (brightness maintenance rate: 80%)  
 180 degree rotary caps; solid state with shock and vibration resistance  
 Comply with most brand electronic ballast, convenient to replace traditional tubes  
 Can work without ballast, instant self-start  
 No RF interference, No flickering or buzzing  
 Quick and easy installation to minimize retrofit costs  
 Minimum maintenance costs produce little heat  
 No mercury and other hazardous materials, fully RoHS compliant  
 180° Rotatable end caps (optional), convenient user installation  
 PF>0.9; efficiency: 85%  
 Reflector: Frosted / Transparent / Stripe PC cover  
 Beam Angle: 150 ± 5°  
 Start time :< 0.1S  
 Input Voltage: 100-265V/50-60Hz  
 Working Temperature: -20~ +45°C, 10% ~ 90% R.H.  
 Storage Temp./Humidity: -30 ~ 65 , 0% ~ 95% R.H  
 No UV, no IR  
 Standard Warranty: 2 years

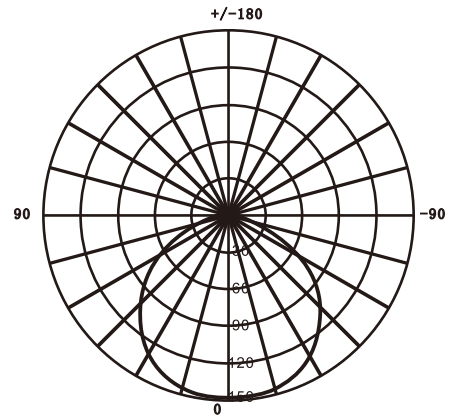


806-9W-144C	9W	AC100-265V	144 pcs	600mm	warm white	2700-3300K	728lm
					pure white	3800-4600K	746lm
					cool white	5500-6500K	814lm
809-12W-192C	12W	AC 100-265V	192pcs	900mm	warm white	2700-3300K	867lm
					pure white	3800-4600K	969lm
					cool white	5500-6500K	1071lm
812-18W-288C	18W	AC100-265V	288 pcs	1200mm	warm white	2700-3300K	1456lm
					pure white	3800-4600K	1592lm
					cool white	5500-6500K	1628lm
815-24W-336C	24W	AC 100-265V	336 pcs	1500mm	warm white	2700-3300K	2040lm
					pure white	3800-4600K	2160lm
					cool white	5500-6500K	2280lm

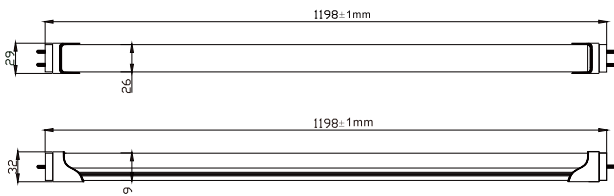
## LED Tube Light Distribution Curve & Cut Out View



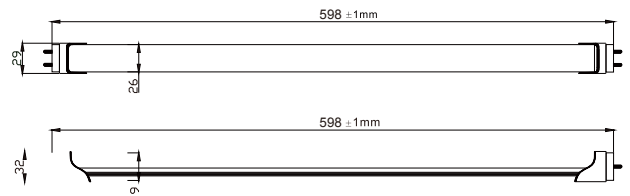
18W light distribution



9W light distribution



18W 1.2m Tube A=1214mm B=1200mm



9W 0.6m Tube A=598mm B=600mm

Height	Diameter	Illuminance(Lx)
0.6	2.90	1125.9
1.2	5.79	281.5
1.8	8.69	125.1
2.4	11.59	70.4
3.0	14.49	45.0

Height	Diameter	Illuminance(Lx)
0.6	2.90	□□□□
1.2	5.79	□□□□
1.8	8.69	□□□□
2.4	11.59	□□□□
3.0	14.49	□□□□