

## LED High Bay Light

LED Industrial Light, LED Project Light

**RISU**  
LED Light Technology



LED Hallenbeleuchtung von RISU

- Perfect Industrial Lighting Solution

ISO 9001

CE

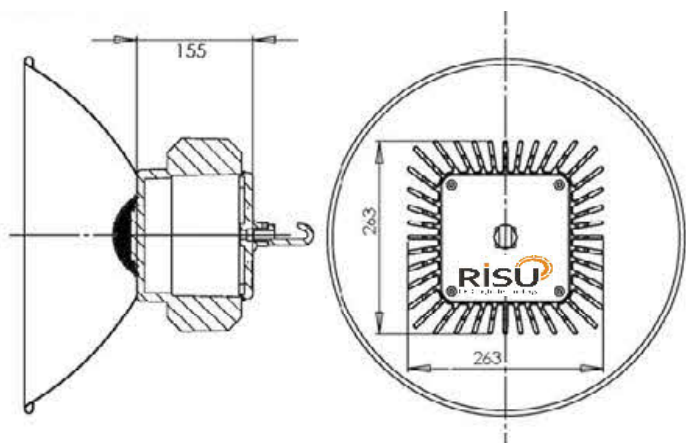


cUL<sup>®</sup> US  
PENDING



[www.risu.at](http://www.risu.at)

## Features & Characteristic:

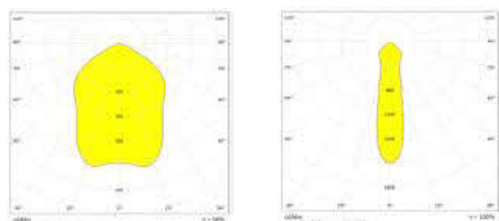


- Patent multi- function design, suitable for all projects
- 5-5-10 year warranty
- OSRAM chips, 120 lm/w lamp efficiency \*
- 80% lumen maintenance over 50,000hours
- 10Vdc dimmerable version available
- Built-in surge protection
- Built-in thermal protection
- Maintenance free
- Mercury free, No UV or IR
- Universal input without additional adapter ,  
80-315Vac, 80-400Vdc
- Instant start and flicker free
- High uniformity and color rendering

## Typical Application:

Factory | Warehouse | Shopping Mall | Gymnasium | Show Room | Architecture | Plant Area | Petrol Station  
 Conference Centers | Cold Storage | Floodlighting

## Lamp Shade Available for All Projects :



60° Lamp Shade

30° Lamp Shade

Model :	60A	90A	120A	150A	180A
Power Consumption :	50W	80W	108W	135W	162W
LEDs:	50W	80W	108W	135W	162W
Driver:	10W	10W	12W	15W	18W
Total:	60W	90W	120W	150W	180W
Initial Lumen Flux:	7200 lm	10800 lm	14400 lm	18000 lm	21600 lm
Replace HID Lamp:	100-150W	150-250W	250-300W	300W-400W	400W-600W
Dimension:	Lamp Body: 263x263x155mm / Lamp Shade: Ø400mm				
Net Weight:	8kg (17.6lbs)				
Color Temperature:	4000K (warm white) / 6000K (cool white)				
Color Rendering:	≥Ra75				
Working Life:	≥50000Hrs				
Housing:	Copper free aluminum				
Coating:	Cathode EPD				
IP Class:	IP 65 (Upgradeable to IP 67)				
Insulation Class:	Class I (Upgradeable to Class II)				
Working Temperature:	-40C ~ 60C / -40F ~ 140F				
Working Humidity:	10% ~ 95%				
AC Input:	80 ~ 315Vac, (347Vac available on request)				
DC Input:	80 ~ 400Vdc, (12Vdc, 24Vdc and other input available on request)				
THD:	<10%				
Power Factor:	≥0.98				
Warranty:	LED Module:	5 year			
	Driver:	5 year			
	Housing:	10 year			

\* 120lm/w only for the 6000K LED with 60° and 30° shade.